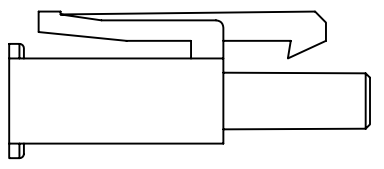
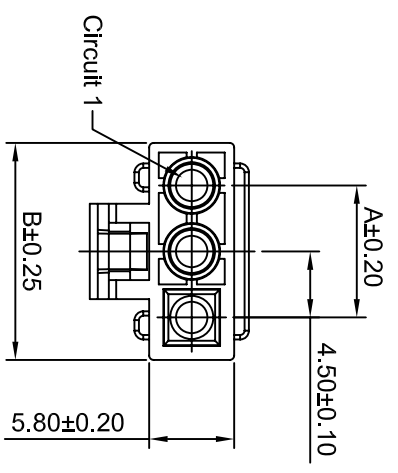
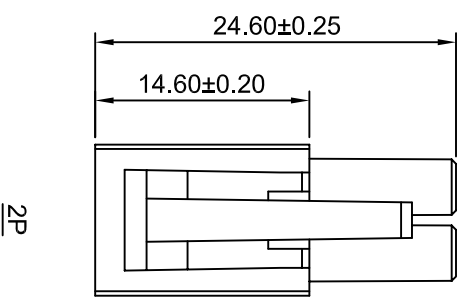
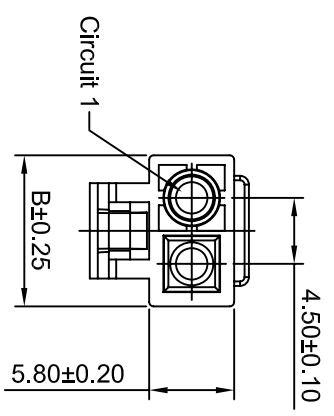


REV. NO.	REVISION NOTE	REVISER	DATE
V0	NEW DRAWING		2023/06/01



Circuits	Dimensions(mm)		Circuits	Dimensions(mm)	
	A	B		A	B
2P	4.50	10.30	4P	13.50	19.30
3P	9.00	14.80			

SPECIFICATIONS:
 Current Rating: 19A AC,DC(Max)
 Voltage Rating: 600V AC,DC
 Temperature Range: -40°C ~ +105°C
 Contact Resistance: 3.5mΩ Max
 Insulation Resistance: 1000MΩ Min
 Withstanding Voltage: 5000V AC/minute
 Material: Nylon 66, UL94V-2(Natural)

Ordering Information & Dimensions

liscomm

深圳市新世联电子有限公司
 Http://www.liscomm.com TEL: +86 (755) 29912370 FAX: 29912372

Tolerance Unless Otherwise Specified		Title		Units		Scale		REV NO.		Material No.	
.X	~ ±0.30	白色胶壳 4.5		mm		1:1		V0			
.XX	~ ±0.25			Date		Reviewed By		Date		Approval By	
.XXX	~ ±0.20	Drawing By		Date		Reviewed By		Date		Approval By	
Angle	~ ± 3°	LiuYang		2023/06/01							